

S36

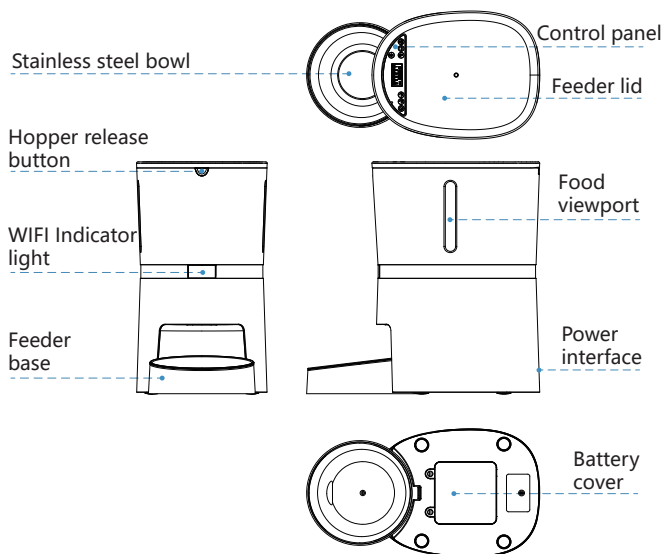
Smart Pet Feeder



User Manual

S36 Smart Pet Feeder

(Structural image) :



Packing List:

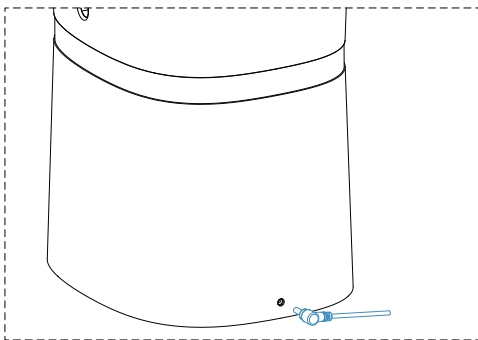
Accessories: host x1, power adapter x1(5v-1A), feeder base x1, user manual x1

Notice

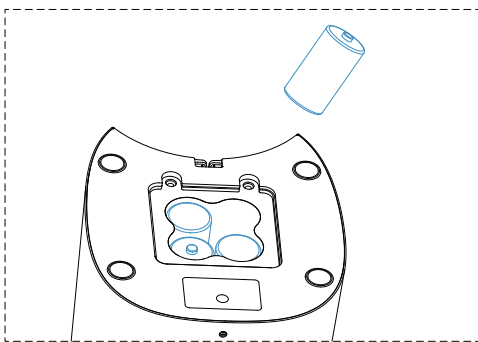
1. The feeder is for indoor household use only.
2. The host of the equipment is not washable. The hopper and the food tray and stainless steel bowl can be removed and washable.
3. Please keep pets from biting the power cable or it may cause leakage.
4. Please place the feeder horizontally and close the lid to keep the food from spilling out if pets knocked over the equipment.

Power supply

- Plug the power cord into the feeder's power socket.



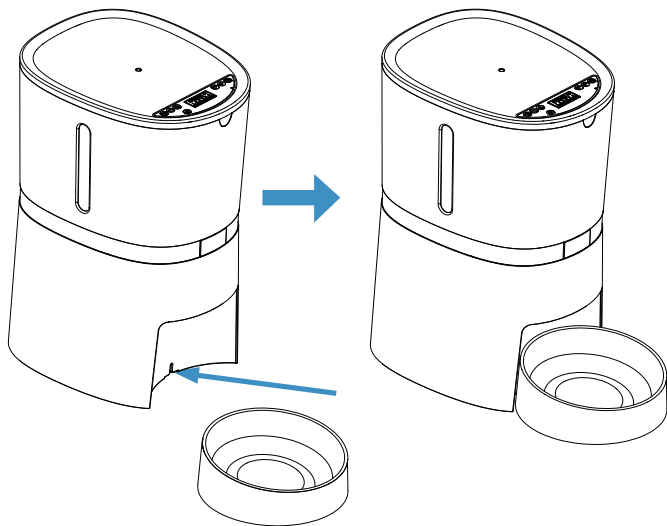
- You can insert spare batteries (4 D-size alkaline batteries) as well, It can be also work automatically according to the feeding plan you set even when the feeder is not connected external power supply.



- **NOTE:** The backup battery is only for a short-term replacement when the external power is cut off, it will be enter the energy saving mode when the feeder is working in battery backup state, the feeder's WIFI is unconnectable and all operations on the app will be unavailable;

Single basin installation

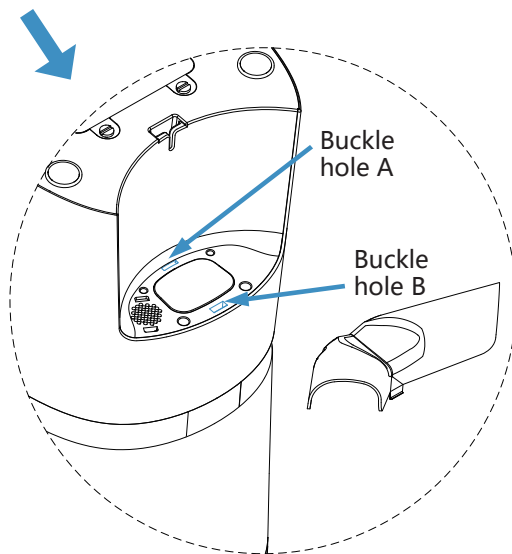
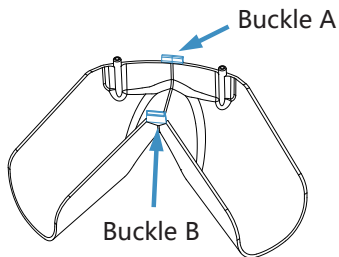
- Please assemble the base of the food bowl with the host .



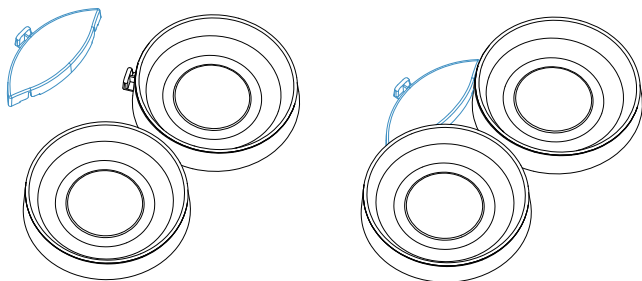
Two-Way Distributor System

(If you purchased the double basin version)

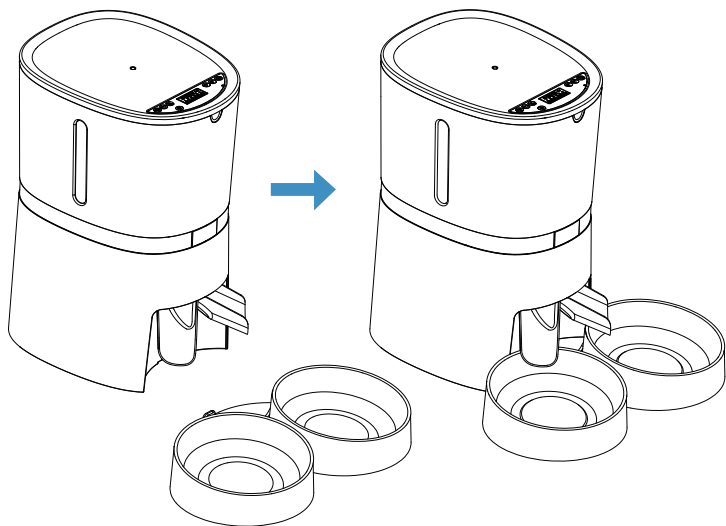
- Step 1: Please install the two way splitter into the host.



- Step 2: Please assemble the two bowls bases with the double bowls base

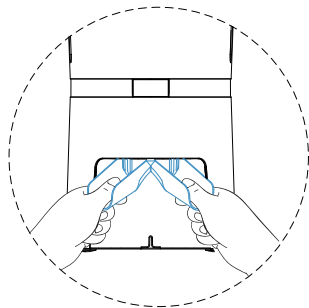


- Step 3: Please put the host in place.



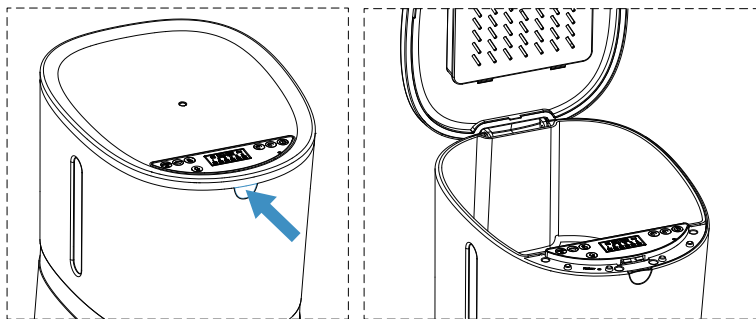
Distributor removal

- Please hold the two way splitter with both hands and press down with the thumb can be removed the two way splitter.



Add pet food

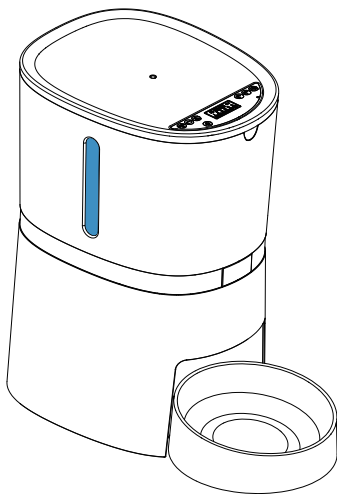
- Press the lid open button and open the lid, pour the pet food into the food container.



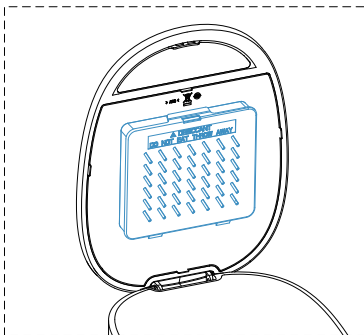
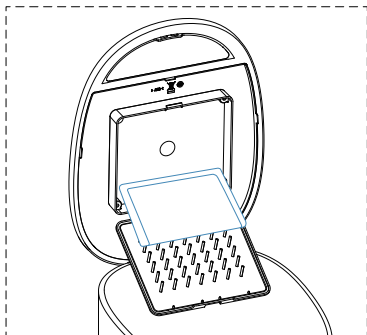
Notice:

1. The food bucket of this feeder can store up to 1.2KG of pet food;
2. This feeder can be used pet food between 0.5-1.2cm, please do not exceed this specification

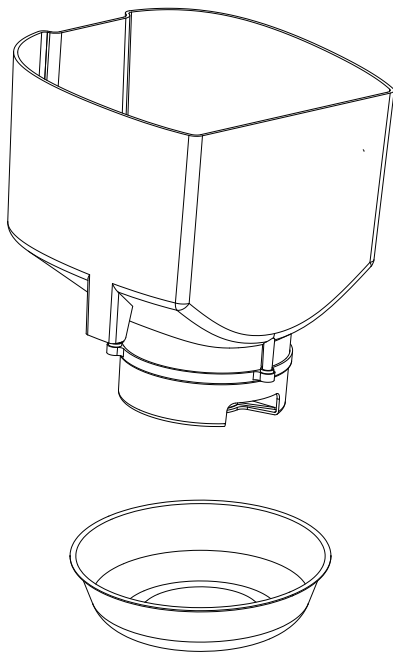
- **Food shortage reminder:** When the feeder is short of pet food , the blue light will be flashed. Please open the feeder lid and add the pet food, then the blue indicator light will turn off.



- Please open the desiccant box, load the desiccant and close. (To keep pet food dry and fresh)



- For keeping your pet's health, please clean the food container and stainless steel food bowl regularly.
Please don't washable feeder body instead of wipe with a rag.



Software installation and setup

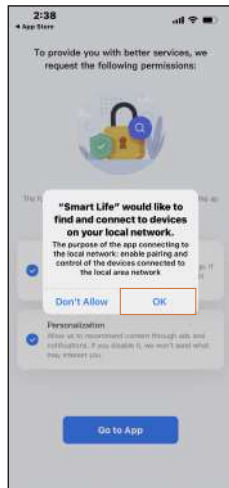
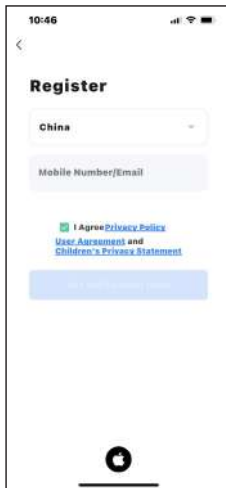
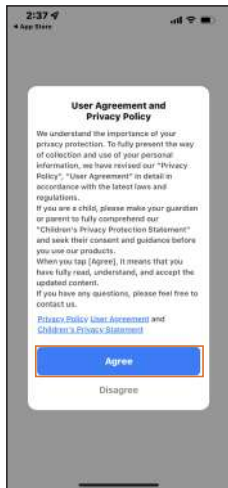
- 1. Search the APP store to download and install or scan the QR code below to download and install "Smart Life"



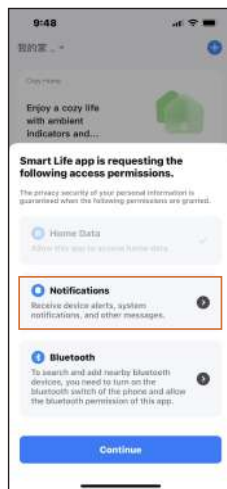
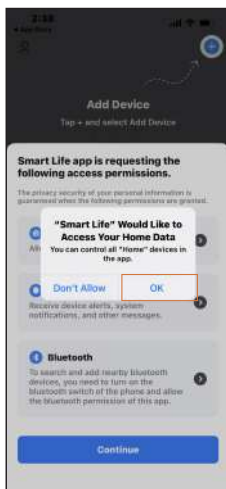
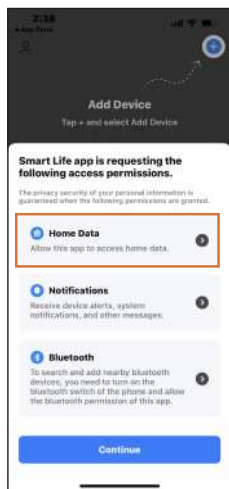
Smart Life

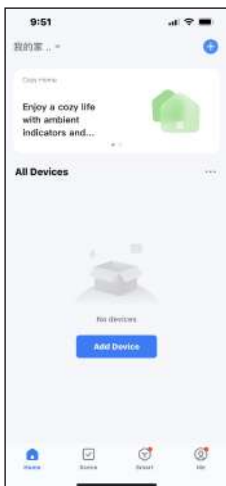
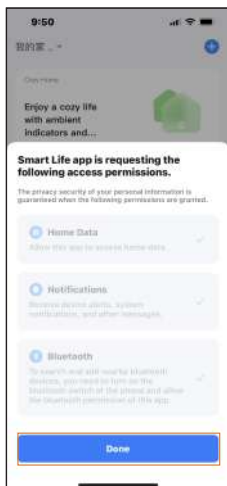
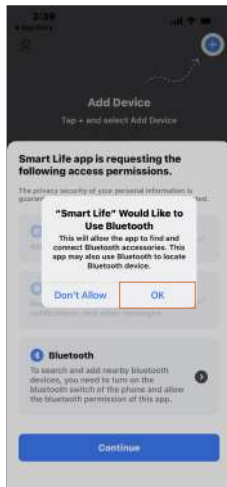
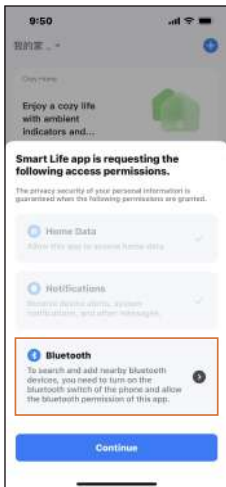
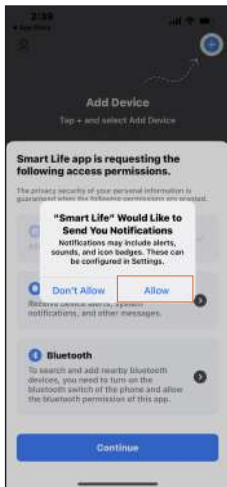


- 2. Run the app, read and agree to the privacy policy, and register a new account or log in a registered account. Please select the correct country when you register or log in to your account region. Please agree to the APP to connect to the local network.

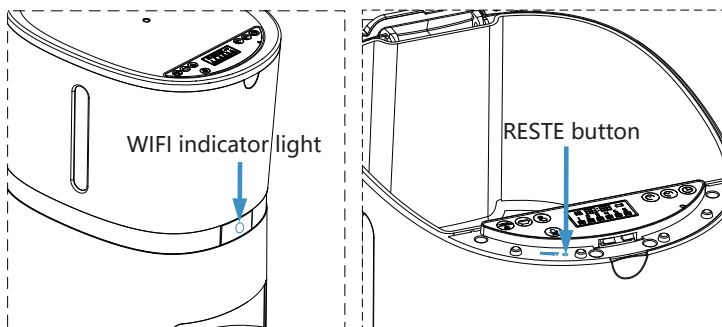


- 3.The APP will ask you to access certain permissions when you log in, such as Bluetooth usage permissions and bit set usage permissions, these permissions are very important to the application, so please allow them. (allowed to enter Enter home page data, allow APP to send notifications as well)

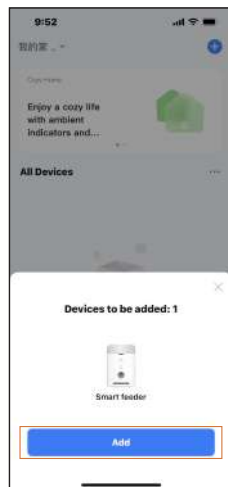
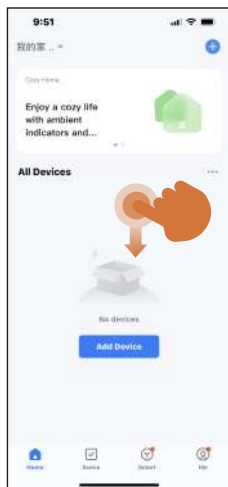




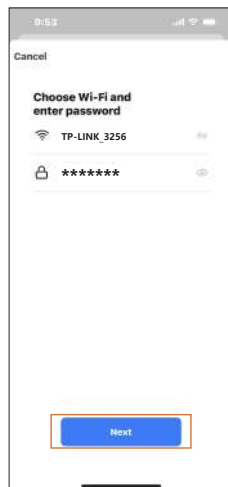
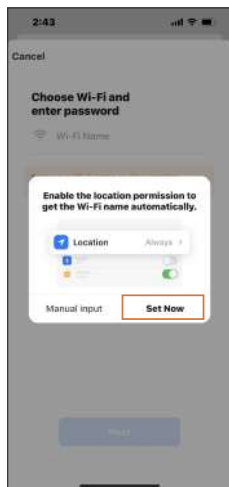
- 4. Please note that the feeder not supports 5GHz WIFI network instead of 2.4GHz WIFI network only. Please check that the mobile phone is currently connected to the 2.4GHz WIFI network,if not, please switch the Mobile phone's Wi-Fi network to a 2.4GHz Wifi network.
- 5. Please confirm whether the WIFI indicator of the feeder flashes quickly (once per second), such as the WIFI indicator light is off, please open the cover and press the "RESTE" button, you will hear the feeder "beeps", The Wi-Fi indicator light flashes quickly.
- Note: The WIFI indicator is off when the power adapter is not connected.




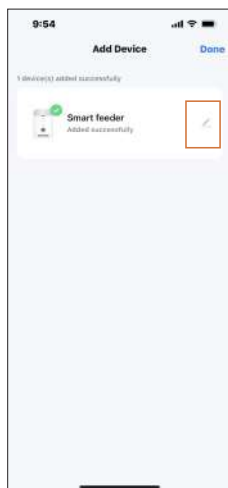
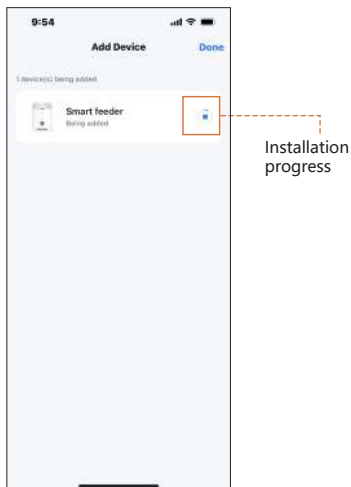
- 6. Drop down the interface in the blank space Refresh, pop up at the bottom of the interface window for the new feeder, Click **"Add"**.



- 7. Please allow it. then your WIFI network name when the APP asks for your phone location permission, It will automatically appear in the text box, after entering the password, click **"Next "**.






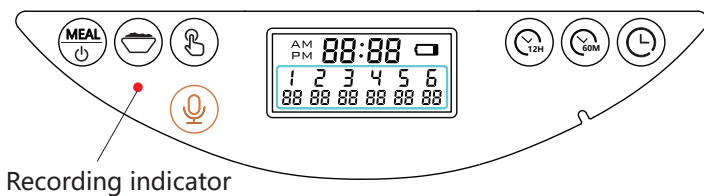
- Please be patient for waiting when the APP enters to **"add device"** page, when the device's WIFI indicator stops flickering and stays on, the APP interface jumps to the device name modification page, click  , the APP interface pops up the device name modification view window, enter a new name and click **"Done"** , The APP returns to the **"Add Device"** page, click **"Done"**



- 9.The APP jumps to the feeder control page, and the feeder is successfully connected to the Internet.



- **Recording Setup:** "Press "  " and hold for three seconds then you can record for Max 10 seconds after the recording indicator lighting up. Release the button during recording as the recording is completed.After finishing the recording, you can press "  " to play your recording. If you need to delete or close the recording function, you can press "  " double times until the recording indicator light blinking 3 times, then the recording message is removed."



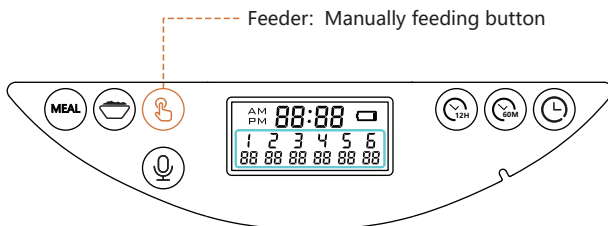
Feeding

Manually Feeding

- 1. Enter the feeder control page, click Manually feeding, select the portion of food and click **"Feeding confirm"** the feeder will feed immediately.

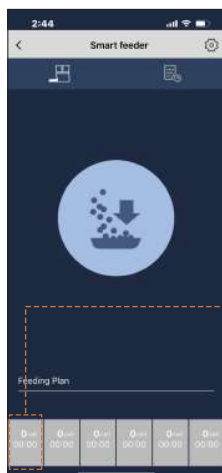


- 2. You can also press and hold the Manually feeding button on the feeder for 3 seconds, after a "beep", The feeder will be feed a grain.

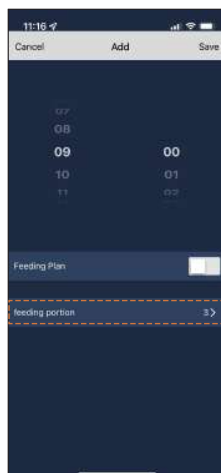


Make a feeding meals plan

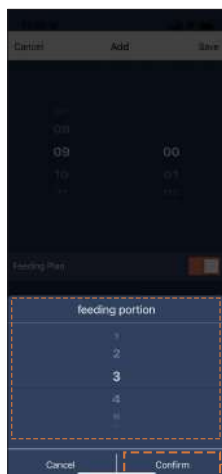
- 1. The feeder supports a daily 6-meal feeding plan, click the **feeding meals plan** button to select the **feedings portions volume** and **feeding times**, open the **feeding meals plan** and click **Save**.



Click the feeding meals plan button

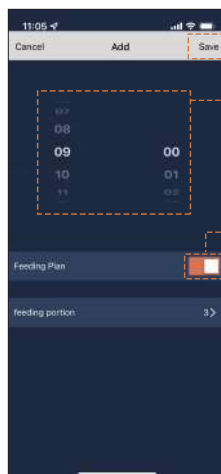


Select the feedings portions volume



Select the feeding Portions Volume1-48

Confirm

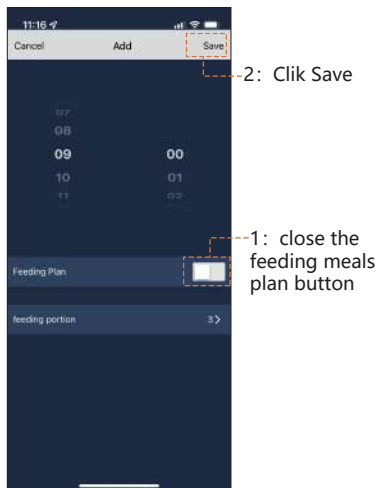


Save after set finished

select feeding times

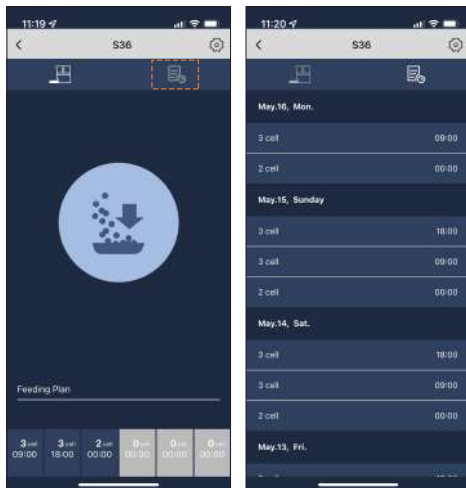
Open the feeding meals plan button

- 2. If you need to disable a **feeding meals plan**, click the desired feeding meals plan button, **close** the feeding meals plan, and then click **Save**.



View feeding records

- 1. Click "📄🔄", pull down to refresh the page, It will be display feeding records.



Basic setting

Click the **Settings** button to jump to the Settings page.

1 Voice plays times

The number of times (0 times - 6 times) plays a recording before feeding

2 Backup battery status

Display battery status

3 Slow feed

Turn on/off the slow feed function of the feeder

4 24-Hour

Turn 24 hour clock on/off



Setting button



Voice play times options

Backup battery status

Turn on/off the slow feed function of the feeder

Turn 24 hour clock on/off

Advanced settings

- Click **device Info** to enter the advanced settings page.



Click device Info to enter the advanced settings page.

1 Device Information

Display device ID, IP, MAC, device time zone, signal strength

2 Offline Notification

Turn on this function , the APP will notify you when the device Offline.

3 Share device

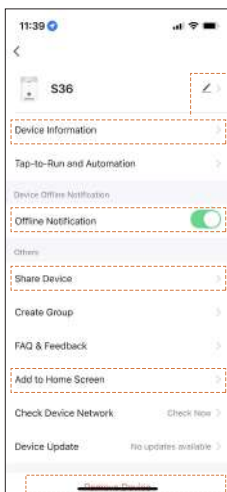
This function can be used to Device sharing with your family

4 Add to home screen

Add the feeder to the home screen for ready access to the feeder control page

5 Remove device

You can reconfigure the feeder



Device Information

Offline Notification

Share device

Add to home screen

Remove device

Q: The LCD screen does not light up when plugged in

A: 1) Poor contact of the power adapter.

2) There is a problem with the power adapter, please contact the seller on Amazon for a new one.

Q: The food won't come out

A: 1) Please be sure to fill with dry food, kibble size should range from 5-12mm/0.19-0.47 inch diameter.

2) Check whether any foreign objects are placed. Disassemble the food tank and check the chute, and also check the food outlet.

3) Check whether the power adapter is connected or there is any outage when no battery is installed. And also check whether it's low battery level.

Q: Does the pet feeder work must with the power adapter and battery at the same time?

A: No. The pet feeder can be worked under the power adapter, battery is back up. In order to prevent power outage, We recommend using the power adapter and batteries at the same time(Batteries are NOT included)

Q: Is there an indicator light when the battery is low?

A: Yes. When the batteries are low, the battery level sign on the LCD screen will turn on. After new batteries are installed, the sign will be turned off.(Battery model :4*D size alkaline)

Q: Why I can't hear any voice recordings when feeding?

A: Please press the Recording button to check whether the recorded successfully. If no sound is heard, you may need to record again and be sure to save following instructions in the Recording Setup section.

Q: Can the voice recording be turned off with no affect meal schedule?

A: Yes, you can press the Recording Button twice until the recording indicator blinking 3 times, then the recording message is removed.

Q: Does the unit reset after 6 feeding, or does it just stop feeding?

A: Once you set the feeding schedule, it repeats everyday until there is no food in the food tank.

Q: Does it alert you when it is low/out of food?

A: Yes. It flashes blue light when distributing food, Very easy to see.

Q: How to delete/reset the feeding schedule?

A: Please open the lid and press the reset button.

Q: For two way distributor system, Why the food split not evenly in each bowl?

A: The first few portions may vary and it doesn' t mean a faulty equipment. After several feedings it should be almost even.